

VIEW ISSUE

[HOME](#) / [NEW ARCHIVE JOURNALS](#) / [VIEW ISSUE](#)

VOLUME 22, ISSUE185, DECEMBER, 2021

CALITATEA

EDITORIAL ADVISORY BOARD

- Marin Andreica (Academia de Comerț, Satu Mare, Romania)
marinandreica@yahoo.com
- Liana Anica-Popa (Academia de Studii Economice, București, Romania)
liana.anica@gmail.com
- Gabriel Babut (Universitatea din Petrosani, Romania)
gabriel_babut@yahoo.com
- Dumitru-Alexandru Bodislav (Academia de Studii Economice, București, Romania)
dumitru.bodislav@economie.ase.ro
- Elena Bogan (Universitatea din București, Romania)
elena.bogan@yahoo.com
- Stelian Brad (Universitatea tehnică, Cluj Napoca, Romania)
stelian.brad@staff.utcluj.ro
- Florina Bran (Academia de Studii Economice, București, Romania)
florinabran@yahoo.com
- Giuseppe Calabro (Università degli Studi di Messina, Italy)
calabro@unime.it
- Grazia Calabro (Università degli Studi di Messina, Italy)
grazia.calabro@unime.it
- Gian Paolo Cesaretti (Parthenope University of Naples, Italy)
cesaretti@uniparthenope.it
- Sudip Chakraborty (University of Calabria, Italy)
sudip.chakraborty@unical.it
- Andrej Chochol (Cracow University of Economics, Poland)
chochola@ae.krakow.pl
- Lucian-Ionel Cioca (Lucian Blaga University of Sibiu, Romania)
lucian.cioca@ulbsibiu.ro
- Pietro Columba (Università degli studi di Palermo)
pietro.columba@unipa.it
- Sorin Cruceru (DeVry College of New York, USA)
scruceru@aol.com
- Sameer Mohammed Majed Dandan (Northern Border University, Saudi Arabia)
samotoom@hotmail.com
- Vasile Deac (Academia de Studii Economice, București, Romania)
deac_vasile@yahoo.com
- Cosmin Dobrin (Academia de Studii Economice, București, Romania)
cdobrin@yahoo.com
- Enrica Donia (University of Palermo, Italy)
enrica.donia@unipa.it
- Nicolae Dragulanescu (Universitatea POLITEHNICA, București, Romania)
nicudrag@yahoo.com
- Dalina Dumitrescu (ASEBUSS București, Romania)
dalina@asebuss.ro

- Numan Muhammet Durakbasa (Vienna University of Technology, Austria)
durakbasa@mail.ift.tuwien.ac.at
- Carlo Giannetto (University of Messina, Italy)
giannettoc@unime.it
- Bogdan Ionescu (Academia de Studii Economice, Bucuresti, Romania)
bionescu@cig.ase.ro
- Florin Ionescu (Steinbeis University, Berlin, Germany)
ionescu@htwg-konstanz.de
- Maurizio Lanfranchi (Universita degli Studi di Messina, Italy)
mlanfranchi@unime.it
- Lolita Liberatore (University "G. d'Annunzio" of Chieti-Pescara, Italy)
l.liberatore@unich.it
- Bernard Morard (University of Geneva, Switzerland)
bernard.morard@unige.ch
- Narcisa Roxana Mosteanu (American University of Malta)
narcisamosteanu@yahoo.com
- Nicola Mucci (University of Florence, Italy)
nicola.mucci@unifi.it
- Max M. North (Coles College of Business, Kennesaw State University, USA)
Max@kennesaw.edu
- Carmina S. Nunes (ESTGA - Aveiro's University, Portugal)
carminanunes@ua.pt
- Marieta Olaru (Academia de Studii Economice, Bucuresti, Romania)
olaru.marieta@gmail.com
- Bogdan Onete (Academia de Studii Economice, Bucuresti, Romania)
cristian.onete@com.ase.ro
- Rodica Pamfilie (Academia de Studii Economice, Bucuresti, Romania)
rodica.pamfilie@com.ase.ro
- Sabka Pashova (University of Economics - Varna, Bulgaria)
spashova_uev@abv.bg
- Nenad Peric (University Union-Nikola Tesla, Serbia)
nesaperic@hotmail.com
- Iuri Peri (University of Catania, Italy)
peri@unict.it
- Ion Popa (Academia de Studii Economice, Bucuresti, Romania)
iipopa@yahoo.com
- Doina I. Popescu (Academia de Studii Economice, Bucuresti, Romania)
doinaipopescu@yahoo.com
- Sorin Gabriel Popescu (Universitatea Tehnica, Cluj Napoca, Romania)
posorin@gmail.com
- Carmen Valentina Radulescu (Academia de Studii Economice, Bucuresti, Romania)
cv_radulescu@yahoo.com
- Juozas Ruzevicius (Vilnius University, Lithuania)
juozas.ruzevicius@evaf.vu.lt
- Irina Severin (University Politehnica of Bucharest, Romania)
irina.severin@upb.ro
- Filippo Sgroi (Universitatea din Palermo, Italia)
filippo.sgroi@unipa.it

- Roberta Sisto (University of Foggia, Italy)
roberta.sisto@unifg.it
- Angela Tarabella (Universitatea din Pisa, Italia)
atarabel@ec.unipi.it
- Mihai Aurel Titu (Universitatea Lucian Blaga din Sibiu, Romania)
mihail.titu@ulbsibiu.ro
- Ion Verboncu (Academia de Studii Economice, Bucuresti, Romania)
iverboncu@yahoo.com
- Albert Weckenmann (Friedrich-Alexander University of Erlangen-Nuremberg, Germany)
albert.weckenmann@qfm.uni-erlangen.de
- Dominik Zimon (Rzeszow University of Technology, Poland)
zdomin@prz.edu.pl

Corporate Volunteering and Creating a Quality Culture

Ladislav MURA Martina MINAROVA, Denisa MALA

<https://doi.org/10.47750/QAS/22.185.01>

(1-8)

Influence of Leadership Behavior Attributes on Work-Related Lecturer's Attitudes

Khoirotul IDAWATI Hanifudin MAHADUN

<https://doi.org/10.47750/QAS/22.185.02>

(9-16)

Corporate Social Responsibility as a Strategic Instrument to Reduce Investor Sentiment

Alwan Sri KUSTONO

<https://doi.org/10.47750/QAS/22.185.03>

(17-25)

The Relationship Between Military Participative Leadership and Personnel Performance with Remuneration as Moderation Role

Heru PRASETYO Armanu THOYIB , Siti AISJAH , Risna WIJAYANTI

<https://doi.org/10.47750/QAS/22.185.04>

(26-30)

Customer Equity as Mediator of Customer Experience and Loyalty Relationship

Andesna NANDA Armanu THAYIB , Risna WIJAYANTI , Rofiaty

<https://doi.org/10.47750/QAS/22.185.05>

(31-37)

Antecedents And Consequences of User Satisfaction in Startup Application as Digital Entrepreneurship in Indonesia

Weni NOVANDARI Suliyanto , Novita PUSPASARI

<https://doi.org/10.47750/QAS/22.185.06>

(38-45)

Relationship Between Business Sustainability and Management Innovation

Sara Amin Tagelsir ABDELRAHMAN Yusof ISMAIL , Ayman ABU-RUMMAN , Ata AL SHRAAH , Amjad M KHALILi , Shahryar SOROOSHIAN

<https://doi.org/10.47750/QAS/22.185.07>

(46-51)

The Impact of Competence and Work Environment on Employee Motivation and Performance in The Financial and Asset Management Division

Nurul QOMARIAH Nursaid, Keke Sulalatin FATHIAH , Ni Nyoman Putu MARTINI , Abadi SANOSRA

<https://doi.org/10.47750/QAS/22.185.08>

(52-63)

Dominant Factors Affecting Financial Distress: A Study on Miscellaneous Industry Sectors Listed in the Stock Exchange Years of 2014 to 2019 in Indonesia
Atang HERMAWAN Budi SEPTIAWAN , Amira TRESNAWATI
<https://doi.org/10.47750/QAS/22.185.09>
(64-69)

Controlling in Tourism Companies – a Possible Way from the Pandemic
Kristína SAMBRONSKA Peter GALLO , Daniela MATUSIKOVA, Tomas MOLCAK ,
Anna SENKOVA
<https://doi.org/10.47750/QAS/22.185.10>
(70-74)

Determinants of Compliance Property Taxpayers: Analysis with Structural Equation Model
Heni Nurani HARTIKAYANTI Ridwan ILYAS , Ifan Wicaksana SIREGAR
<https://doi.org/10.47750/QAS/22.185.11>
(75-82)

Research on the Difficulties and Advantages of Experiential Japanese Teaching at FPT University, Ho Chi Minh City
Nguyen Tan DANH
<https://doi.org/10.47750/QAS/22.185.12>
(83-87)

The Moderation Role of Religiosity on the Relationship Between Risk Tolerance and Financial Behavior of Small Businesses' Owners
Wida PURWIDIANT Bambang Agus PRAMUKA , Rio Dhani LAKSANA
<https://doi.org/10.47750/QAS/22.185.13>
(88-94)

Sustainability Accounting: A Systematic Literature Review and Bibliometric Analysis
Oleh VYSOCHAN Vasyl HYK , Olha VYSOCHAN , Mariia OLSHANSKA
<https://doi.org/10.47750/QAS/22.185.14>
(95-102)

An Investigation of The Corporate Governance and Accounting Standards in Albanian Companies
Ylber BEZO Rezart DIBRA
<https://doi.org/10.47750/QAS/22.185.15>
(103-112)

Exploring The Role of Store Environment in Creating Customer's Perception, Emotion, Perceived Experiential Value and Behavioral Intentions
Phong Tuan NHAM Thi Huong Giang NGUYEN
<https://doi.org/10.47750/QAS/22.185.16>
(113-123)

Business Financial Performance In The Context Of Customer Satisfaction Management
Suchanek PETR Cincalova SIMONA , Kotouckova HANA, Dvorakova STANISLAVA
<https://doi.org/10.47750/QAS/22.185.17>
(124-135)

Attitude Toward of Public Hospital Information System: The Role of Technology Readiness
Ayatulloh Michael MUSYAFFI Dewi Agustin Pratama SARI , Muhammad Ihlashul AMAL ,
Vero DESWANTO , Tutty NURYATI , Rismawati
<https://doi.org/10.47750/QAS/22.185.18>
(136-141)

The Quality Effect of Service, Perception, Taxpayer Motivation of The Interest of Using Tax Consultant Services
Indra PAHALA Nuramalia HASANAH , Rida KHAIRANI , Kiswanto , Suherman,
Ayatulloh Michael MUSYAFFI
<https://doi.org/10.47750/QAS/22.185.19>
(142-145)

Transformational Leadership and Collectivism in Distribution Market: A Study in Central Java – Indonesia
Ahmad MUKHLISIN imam GHOZALI , Indi DJASTUTI
<https://doi.org/10.47750/QAS/22.185.20>
(146-154)

Career As an Internal Auditor: Analysis on Determinant Factors of Accounting Students' Choice Toward This Career Path
Siti Maria WARDAYATI Nining Ika WAHYUNI , Alfi ARIF
<https://doi.org/10.47750/QAS/22.185.21>
(155-163)

An Investigation of Students' Interest in Entrepreneurship through Career Information Services and a Business Plan
Achsanul QOSASI
<https://doi.org/10.47750/QAS/22.185.22>
(164-168)

Intellectual Capital and Environmental Uncertainty on Firm Performance: The mediating role of the value chain
Dini Wahjoe HAPSARI Winwin YADIATI, Harry SUHARMAN³, Dini ROSDINI
<https://doi.org/10.47750/QAS/22.185.23>
(169-176)

Does Wealth Levels, Reliance and Leverage Influence Financial Performance?
Neni NURHAYATI Rosa FITRIANA , Anna ISROWIYAH , Fatmawati ZAHROH , Inneke Putri WIDYANI
<https://doi.org/10.47750/QAS/22.185.24>
(177-183)

An Investigation of Tourism and social media As the Key Instruments in Market Economy and Business Activity
Ariet MALAJ Rezart DIBRA
<https://doi.org/10.47750/QAS/22.185.25>
(184-191)

A Brief Overview of Implemented Management System Standards in Aviation

Michaela TIRPAKOVA Monika BLISTANOVA

<https://doi.org/10.47750/QAS/22.185.26>

(192-199)

Retirement Preparedness and Subjective Well-Being: Evidence from Malaysia

Vinitha GUPTAN Ratneswary RASIAH , Harpaljit Kaur A/P PRITAM SINGH , Jason James TURNER, Senthil KUMAR, Shahryar SOROOSHIAN

<https://doi.org/10.47750/QAS/22.185.27>

(200-211)

Hotel Guest Satisfaction and Service Quality: Evidence from Czech Safari Hotel

Petr SCHOLZ Ivica LINDEROVA , Petr JANECEK

<https://doi.org/10.47750/QAS/22.185.28>

(212-219)

The Role of Organizational Citizenship Behavior in Mediating the Relationship Between Organizational Culture and Job Satisfaction with Employee Performance

Nurul QOMARIAH Trias SETYOWATI , Badrud Tamam AZ , Diana Sulianti K TOBING , Handriyono4, Nurhayati

<https://doi.org/10.47750/QAS/22.185.29>

(220-234)

Evaluation Model of Business Sustainability: Analysis and Consolidation of Existing Approaches

Valery V. MASLENNIKOV Yury V. LYANDAU , Elena V. POPOVA, Irina A. KALININA , Nikolay S. MROCHKOVSKIY, Maria G. UMNOVA

<https://doi.org/10.47750/QAS/22.185.30>

(235-250)

Reach Us

Theodor Burada Street, nr. 6, sector 1, 010215-Bucharest, Romania



STANDARDS

p-ISSN 1582-2559 e-ISSN 2668-4861 ISSN-L 2668-4861

editor@calitatea.ro

Editorial Services - supported by ResearchTrentz Academy of Publishing, Education
Consultancy Services

© COPYRIGHT © ROMANIAN SOCIETY FOR QUALITY ASSURANCE

The Role of Organizational Citizenship Behavior in Mediating the Relationship Between Organizational Culture and Job Satisfaction with Employee Performance

Trias SETYOWATI¹, Badrud Tamam AZ², Diana Sulianti K TOBING³, Handriyono⁴, Nurhayati⁵, Nurul QOMARIAH^{6*}

^{1,2}Management Study Program, Universitas Muhammadiyah Jember.

Email: trias@unmuhjember.ac.id¹, badrudtamam@yahoo.com²

^{3,4}Master of Management Postgraduate Program, Universitas Jember.

Email: diana.tobing@unej.ac.id³, handriyonofeb@gmail.com⁴

⁵Management Study Program, Universitas Jember, Email: nurhayati@unej.ac.id

⁶Master of Management Postgraduate Program, Universitas Muhammadiyah Jember,

Email: nurulqomariah@unmuhjember.ac.id

* Corresponding Author

Received: 18.09.2021

Accepted: 20.11.2021

Published: 01.12.2021

DOI: 10.47750/QAS/22.185.29

Abstract

The role of private universities in the intellectual life of the nation is very meaningful. This is evidenced by the increasing number of private universities participating in improving higher education in Indonesia. Until 2019, the number of private universities in Indonesia that took part in the intellectual life of the nation was around 3,129 units. This study aims to analyze the effect of organizational culture and job satisfaction on organizational citizenship behavior and employee performance at the University of Muhammadiyah Jember. The population in this study were permanent employees of the University of Muhammadiyah Jember, amounting to 113. The determination of the sample was based on the Slovin formula and the respondents were 53 employees. Test the reliability and validity of the data used to measure the measuring instrument used in the form of a questionnaire. Data analysis in this study used path analysis. The results showed that: (1) there was a positive and significant influence of organizational culture on OCB behavior (with a significance level of 0.004); (2) there is a positive and significant effect of job satisfaction on OCB (with a significance level of 0.013); (3) there is a positive and significant effect of organizational culture on performance (with a significance level of 0.034); (4) there is a positive and significant effect of job satisfaction on employee performance (with a significance level of 0.02); and (5) there is a positive and significant effect of the OCB variable on employee performance (with a significance level of 0.00).

Keywords: organizational culture, job satisfaction, OCB, employee performance

1. Introduction

The role of higher education in developing social life cannot be separated from the role of private universities. Private universities exist to fill and provide opportunities for high school / vocational graduates who cannot be accommodated by state universities. The number of existing state universities cannot accommodate high school/vocational high school graduates, therefore the existence of private universities/PTS is very necessary. The number of private universities to date recorded in the Higher Education Web is approximately 3,129 units unit (<https://databoks.katadata.co.id/datapublish/2021/03/23/jumlah-perguruan-tinggi-swasta-cenderung-menurun-sejak-2014,2021>). Muhammadiyah social organizations (Ormas) also have a big role in increasing the contribution of higher education to the intellectual life of the nation. Muhammadiyah

and Aisyiyah Higher Education (PTMA) continues to grow and develop to produce intelligent and noble people. Growth and development certainly cannot be separated from the challenges and obstacles faced. Political dynamics and various policies such as the moratorium on the establishment of universities, institutes, high schools and the ongoing Merdeka Campus policy certainly affect the development and growth strategy of Muhammadiyah and Aisyiyah's universities today. Based on information from the Council of Higher Education and Research and Development of PP Muhammadiyah, the number of PTMAs spread throughout Indonesia is 165 universities (<http://bogorkota.muhammadiyah.or.id/id/artikel-jumlah-perguruan-tinggi-muhammadiyah-dan-aisyiyah-hingga-januari-2021-hampir-di-seluruh-provinsi-detail-1456.html>, 2021). The development of the number of PTMAs until the end of January 2021 is presented in Table 1.

GENERAL MANAGEMENT

No.	PTMA Type	Muhammadiyah	'Aisyiyah
1.	Academy	5	-
2.	Polytechnic	3	3
3.	Institute	13	-
4.	High School	73	2
5.	University	63	3
Total		157	8

Table 1: Number of Muhammadiyah Aisyiyah Universities (PTMA)

The number of PTMAs that have provided higher education services and have played a role in educating the community is 165 universities. When compared to the number of existing private universities/PTS, which are 3,129, the percentage of higher education contributions from PTMA is around 6%. The number of PTMAs does not rule out the possibility to continue to grow provided that the academic community involved in it must work hard to continue to advance the existing PTMAs. All academics (lecturers, education staff, students) involved in the education service industry have an important role to play in the advancement and decline of the higher education service industry.

Muhammadiyah University of Jember was founded on May 10, 1982 with the Decree of PT No. 0172/O/1982. It is one of the PTMAs in East Java which also contributes to the

intellectual life of the nation. There are many challenges and obstacles to be able to maintain the achievements that have been achieved by this institution in managing higher education services. The number of private universities in East Java ranges up to 350 units. For the Jember Regency area, there are 21 universities that are active in providing higher education to the community, consisting of PTN and PTS. These universities, both private and public, will continue to race in achieving achievements in order to obtain excellent and excellent accreditation. The ranking of the best universities in East Java presented in Table 2 (<https://pwmu.co/30262/05/17/6-unmuh-masuk-22-kampus-unggul-di-jatim-umm-juara-pertama-sejak-10-tahun-lalu/,2020>)

No.	Affiliation	Point
1	Universitas Muhammadiyah Malang	766
2	Universitas Surabaya	662
3	Universitas Katolik Widya Mandala Surabaya	613
4	Universitas Kristen Petra Surabaya	599
5	Universitas PGRI Madiun	561
6	Universitas 17 Agustus 1945 Surabaya	548
7	Universitas Islam Malang	529
8	Universitas Merdeka Malang	520
9	Universitas PGRI Adibuana Surabaya	520
10	Universitas Kanjuruhan Malang	514
11	Universitas Muhammadiyah Jember	509

Table 2: Excellent Ranking of PTS in East Java

In Table 2, it shows that the University of Muhammadiyah Jember is in the lowest rank. Being included in the ranking of superior universities is a matter of pride for private universities such as the University of Muhammadiyah Jember, but on the other hand, the University of Muhammadiyah Jember is ranked the lowest among the existing universities. This needs to get attention from the leadership of the University of Muhammadiyah Jember, so that in the future the University of Muhammadiyah Jember can improve the achievements of the achievements that have been achieved so far. The role of the academic community starting from lecturers, education staff

and students is needed to improve performance even more so that the Muhammadiyah University of Jember can improve achievements even better than the achievements that have been achieved. Higher education performance is an accumulation of the performance of the academic community involved in it. One of the academics who also plays an important role in improving the performance of universities is the performance of their employees. The average employee performance assessment at the University of Muhammadiyah Jember in 2020 was presented at Table 3.

Point is Considered	Results of Fixed Employee Assessment	The results of honorary employee assessment
Quantity of work	92 %	90 %
Work quality	92 %	90 %
Discipline	90 %	82 %
Punctuality	88 %	80 %

Table 3: The Average Employee Performance Assessment Of 2020

Based on Table 3 it can be seen that the average performance of employees at the University of Muhammadiyah Jember is good, but it has not reached 100% therefore it is necessary to improve employee performance based on the implementation of organizational culture, increased job satisfaction and OCB. Performance is a work result achieved by a person in carrying out the tasks assigned to him based on skills, experience and sincerity and time (Hasibuan, 2018). Meanwhile, according to (Azhad et al., 2015) performance is the result of work in quality and quantity achieved by an employee in carrying out his duties in accordance with the responsibilities given to him. (Handoko, 2010) states that performance is the result of work that can be achieved by a person or group of people in an organization both quantitatively and qualitatively, in accordance with their respective authorities and responsibilities, in an effort to achieve the goals of the organization concerned legally, not violating law and in accordance with morals and ethics. To improve the performance of many factors that need attention including: organizational citizenship behavior, work culture and job satisfaction.

This study has a problem formulation in the form of research questions, namely: (1) whether organizational culture

2. Literature Review and Hypotheses

The Relationship Between Organizational Culture And Organizational Citizenship Behavior

(Davis & Newstorm, 2008) states that organizational culture is a habit, tradition, and general way of doing things and mostly comes from the founders of the organization. Traditionally, the founders of the organization have had a great influence on the initial culture of the organization. This is because the founders instill the habits that can bring the organization to success. These founders had a vision of what the future organization would look like. These founders also had no obstacles in implementing previous customs or ideologies. The relatively small size of the organization is characteristic when the organization is first established, and makes it easier for founders to impose their vision on all members of the organization. Habits that are instilled in employees every day will become a culture that must be adhered to by all parties involved in advancing the organization (S. P. Robbins & Coulter, 2010). (Luthans, 2014) states that OCB is a constructive behavior but is not included in the employee's formal job description. OCB is the behavior of individuals who are independent, not directly or explicitly recognized in the reward system and in promoting the effective functioning of the organization. Thus, OCB is an awareness that arises in employees to do their job as well as possible. A good organizational culture can provide high awareness to every employee to improve performance even better.

Research on the relationship between organizational culture and OCB has been done by many previous researchers. (Maulani et al., 2015) stated that organizational culture and organizational commitment either partially or simultaneously significant on organizational citizenship behavior (OCB). Meanwhile research (Lestiyani & Yanuar, 2019) states that organizational culture has a positive and significant effect on organizational commitment but not on OCB. (Sanhaji et al., 2016) in his research stated that organizational culture does not have a positive effect on organizational citizenship behavior. Some of those studies

can improve organizational citizenship behavior at the University of Muhammadiyah Jember? (2) can job satisfaction improve organizational citizenship behavior at Muhammadiyah University of Jember? (3) can organizational culture improve employee performance at the University of Muhammadiyah Jember? (4) can job satisfaction improve employee performance at the Muhammadiyah University of Jember? (5) whether behavioral organizational citizenship can improve employee performance at the University of Muhammadiyah Jember?.

The objectives of this study are: First, to determine and analyze the influence of organizational culture on organizational citizenship behavior at the University of Muhammadiyah Jember. Second, to find out and analyze the effect of job satisfaction on organizational citizenship behavior at the University of Muhammadiyah Jember. Third, to determine and analyze the influence of organizational culture on employee performance at the University of Muhammadiyah Jember. Fourth, to find out and analyze the effect of job satisfaction on employee performance at the University of Muhammadiyah Jember. Fifth, to determine the effect of organizational citizenship behavior on employee performance at the University of Muhammadiyah Jember.

include: (D. N. Haryati, 2019; E. Haryati et al., 2014; Hayati, 2020; Husodo, 2018; Maulani et al., 2015; Nadeak, 2016; Pemayun & Wibawa, 2017; Rini et al., 2013; Rosyada & Rahadjo, 2016; Sanhaji et al., 2016; Satya Nugraha & Ayu Dewi Adnyani, 2017; Udayani & Sunariani, 2019; Wahyuni & Giantari, 2019; Warsito, 2014; Winoto et al., 2020; Wira Saputra & Supartha, 2019). The hypothesis that can be developed is H1: Organizational culture has an effect on OCB.

The Relationship Between Job Satisfaction With Organizational Citizenship Behavior

(Siagian, 2015) states that job satisfaction is a person's perspective, both positive and negative, about his work. Thus, job satisfaction from employees is a positive view of employees towards the company so that employees consider the work assigned to them as something that is fun and does not cause boredom for them. Meanwhile, job dissatisfaction is job dissatisfaction which is the opposite of job satisfaction. Job dissatisfaction means a negative way for employees towards the company so that employees perceive the work assigned to them as a burden and can cause boredom for them (Mu'ah, 2002). Employees who are satisfied with their work will do their work with a comfortable feeling and sometimes they don't even realize that the time for completing the work has ended.

Research on the relationship between job satisfaction and organizational citizenship behavior has been done by previous researchers. Research (Fitrio et al., 2019) states that job satisfaction has a positive and significant effect on organizational citizenship behavior (OCB). (Sabahi & Sanai Dashti, 2016) in their research stated that there were some positive and meaningful relationship between job satisfaction with OCB. Other studies that also examine the relationship between job satisfaction and organizational citizenship behavior include: (Barlian Noer, 2010; Bayu Putra Mahardika & Wibawa, 2018; Bharata et al., 2016; Darmawati & Indartono, 2015; Iswara Putra & Kartika Dewi, 2016; Mahmudi & Surjanti, 2020; Margahana et al., 2018; Nurnanigsih & Wahyono, 2017; Putrana et al., 2016; Rini et al., 2013; Saraswati, 2017; Waspodo & Minadaniati, 2012; Yuliani & Katim, 2017). Based on the theoretical explanation and previous research, the hypothesis that can be developed is H2: job satisfaction has an effect on OCB.

The Relationship Between Organizational Culture And Employee Performance

Organizational culture consists of two layers of concepts, namely visible and invisible characteristics (Schein, 1990). The visible layers are usually the outbuildings, clothing, modes of behavior, rules, stories, myths, language, and rituals. While the invisible layer can be said to be the values, norms, beliefs, and general assumptions of members of a business organization. Organizational culture, besides being the ability to integrate the daily activities of employees to achieve the planned goals, can also help organizations adapt well to the external environment in order to respond quickly and appropriately (Daft, 2001). This is because organizational culture is a concept full of abstract meaning. Performance can be interpreted as the results obtained by an individual and produced during a certain period of time (Moehariono, 2014). The term performance comes from the word job performance or actual performance (job performance or actual achievement that has been achieved by someone). Several factors are thought to affect employee performance, namely factors within the employee and factors in his work. The factors that exist in employees are intellectual intelligence (IQ), special skills, age, gender, years of service, personality, emotions, ways of thinking, perceptions and work attitudes. Performance can also be interpreted as the result of work in quality and quantity achieved by an employee in carrying out his duties in accordance with the responsibilities given to him (Mangkunegara, 2010). Employees who are accustomed to applying and being disciplined at work and complying with the existing rules in the organization where they work, these employees can complete their tasks and work on time. By completing the task on time, it can be said that they have performed well.

There have been many studies on the relationship between organizational culture and employee performance. (Atikah & Qomariah, 2020) conducted a study which resulted in organizational culture having no significant effect on lecturer performance with a positive path coefficient value of 0.023 and a significance value of 0.439. (Manggis et al., 2018) states that organizational culture has an impact on employee performance. Other studies that also discuss the relationship between organizational culture and employee performance include: (Achmad, 2016; Adha et al., 2019; Antoro, 2014; Giri et al., 2011; Hermawan et al., 2020; Ikhsan, 2016; Manggis et al., 2018; Messner, 2013; Ojo, 2009; Rantesalu et al., 2017; Rina & Perdana, 2017; Saban et al., 2020; Sangadji, 2009; Wambugu, 2014), (Paais & Pattiruhu, 2020), (Susmiati & Sudarma, 2015), (Kharisma et al., 2019), (Harianto et al., 2016), (Setiono, 2016), (Raffie et al., 2018), (Wasiman, 2020), (Mukhtar, 2018), (Amdani et al., 2019), (Nyoto et al., 2020), (Indiyaningsih et al., 2020), (Mukhtar, 2018), (Amdani et al., 2019), (Supriadi et al., 2018), (Qomariah, 2012), (Dolphina, 2012), (Hermawan et al., 2020), (Sappe et al., 2016), (Feel et al., 2018), (Adha et al., 2019), (Fachreza et al., 2014), (Hermawan et al., 2020). Based on the theoretical explanation and previous research, the hypothesis that can be developed is H3: organizational culture affects employee performance.

The Relationship Between Job Satisfaction With Employee Performance

Job satisfaction is closely related to employee attitudes towards work, situations and cooperation with superiors and fellow co-workers (Rivai, 2009). Job satisfaction is the general attitude of employees to the overall job or to every aspect related to the treatment received by employees in the place

where they work (Simamora, 2006). Performance is the result of work achieved by a person based on job requirements (Wilson, 2012). Performance (work achievement) can be said as a result of work achieved by a person in carrying out the tasks assigned to him based on skills, experience, and sincerity and time. Performance appraisal is a systematic evaluation of the work that has been done by employees and is intended for development (Azhad et al., 2015). Employees who are satisfied at work, they must do the work given to them with pleasure and can be completed on time according to the existing SOP. Work that can be completed on time can be said that the employee has a good performance. Thus it can be said that job satisfaction felt by employees can improve employee performance.

There have been many studies on the relationship between job satisfaction and employee performance with different results. (Paais & Pattiruhu, 2020) conducted a study which found that satisfaction can improve the performance of Wahana Resources Ltd's employees in North Seram District, Central Maluku Regency, Indonesia. (Saban et al., 2020) stated that job satisfaction can improve employee performance at 20 four star hotels in South Sulawesi with a population of 2,491 hotel employees. Several other studies that also discuss the relationship between job satisfaction and employee performance include: (Ikhsan, 2016), (Sangadji, 2009), (Saleh et al., 2016), (Wibowo & Putra, 2016), (Habba et al., 2017), (Sugiono & Vitaloka, 2019), (Kosasih, 2018), (Atmojo, 2012), (Riyanto et al., 2018), (Riansari et al., 2012), (Sofyan et al., 2016), (Brury, 2016), (Anggitaningsih & Handriyono, 2019), (Supiyanto, 2015), (Brahmasari & Suprayetno, 2008), (Adam & Kamase, 2019), (Abidin et al., 2020; Alghnimi et al., 2020; Ali & Farooqi, 2014; Arda, 2017; Belonio, 2012; Changgriawan, 2017; Darma & Supriyanto, 2018; Farooqui & Nagendra, 2014; Hochwarter et al., 1999; Indrawati, 2013; Inuwa, 2016; Khan et al., 2012; Kharisma et al., 2019; Kurniawan et al., 2019a; Mossholder et al., 1981; Sadariah, 2019; Saleh et al., 2016; Saputra et al., 2016; Shmailan, 2016; Tilaar et al., 2017), (Kridharta & Rusdianti, 2017), (Manik & Wiarah, 2014), (Muhammad Arifin, 2015), (Iskandar & Juhana, 2014), (Hasibuan & Afrizal, 2019), (Abusama et al., 2017), (Renyut et al., 2017), (Basriani, 2016), (Lotunani et al., 2014), (Marhayani et al., 2019), (Raffie et al., 2018), (Adam & Kamase, 2019), (Mukhtar, 2018), (Pioh & Tawas, 2016), (Riansari et al., 2012), (Ahmad et al., 2014), (Wijianto et al., 2020), (T. Hidayah & Tobing, 2018), (Soebyakto et al., 2019), (Arianto, 2017), (Lestari & Ghaby, 2018), (Lukito, 2020), (Vidianingtyas & Putri, 2014), (Dolphina, 2012), (Ayuningtyas & Utami, 2019), (Brahmasari & Suprayetno, 2008), (Saleh et al., 2016), (Iman & Lestari, 2019), (Pancasila et al., 2020), (Susanti, 2017), (Wardani et al., 2017), (Basri & Rauf, 2021). Based on the theoretical explanation and previous research, the hypothesis that can be developed is H4: job satisfaction affects employee performance.

The Relationship Between Organizational Citizenship Behavioral With Employee Performance

According to (Organ et al., 2006) Organization Citizenship Behavior (OCB) is employee behavior that is carried out voluntarily, sincerely, happily without having to be ordered. These behaviors are those that are freely chosen by individuals where they are not directly or explicitly recognized by the formal reward system and aggregately enhance the functioning of the organization. There are 5 factors that influence the emergence of good OCB in a company, which of course can be indicators in measuring the emergence of OCB itself, namely (1) altruism, (2) conscientiousness, (3)

sportsmanship, (4) courtesy, and (5) civic virtue. Employees who have a high OCB spirit then they work beyond the SOP that has been determined by the company. They feel proud of working beyond the task that has been given. If OCB is associated with performance, then for employees with high OCB, their performance is usually also good.

Study (S. Hidayah & Harnoto, 2018) stated it can be interpreted that perception of justice, job satisfaction, and organizational citizenship behavior (OCB) are valuable components of an organization. These components can become important factors to improve employee and organizational performance. Theoretical and practical implications of the result are discussed. (Novelia et al., 2016) stated that the variable organizational commitment have an impact on the performance of nursing staff of 0,307, while

variable organizational citizenship behavior has an impact on the performance of nursing staff of 0,730. Several other studies that also discuss the relationship between OCB and employee performance include: (Atikah & Qomariah, 2020; Bommer et al., 2007; Chandra et al., 2020; Chelagat et al., 2015; Ekowati et al., 2013; Fitriastuti, 2013; S. Hidayah & Harnoto, 2018; Jufrizen et al., 2020; Kurniawan et al., 2019b; Luthfi et al., 2021; Novelia et al., 2016; Nur Agustiningih et al., 2016; Putri & Utami, 2017; Sari & Sus, 2015; Singh et al., 2019; Susanti Gunawan et al., 2013; Suzanna, 2017; Ticoalu, 2013; Vipraprastha et al., 2018), (Numanigsih & Wahyono, 2017), (Chandra et al., 2020). Based on the explanation of the theory and previous research, the hypothesis that can be developed is H5: organizational citizenship behavior has an effect on employee performance.

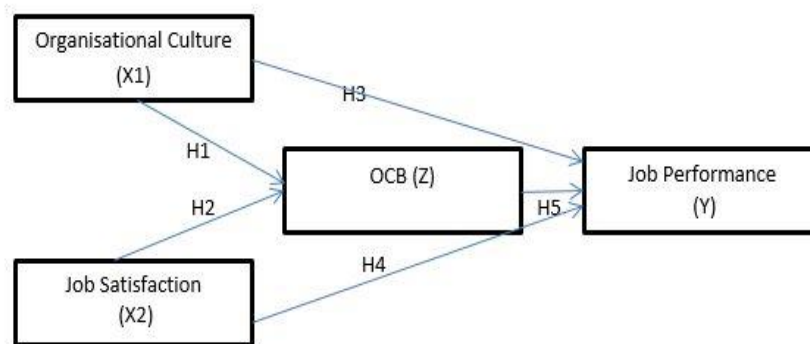


Figure 1: Research Conceptual Framework

3. Methodology

Population and Sample

This research is focused on non-lecturer permanent employees who also participate in providing educational services at the University of Muhammadiyah Jember. The number of permanent employees who are still active is 113. people. The determination of the research sample is based on the Slovin formula with an error rate of 10% (Sugiyono, 2017). Based on Slovin's formula, the number of samples obtained is

53 employees who will be respondents in this study. Sampling of 53 respondents was carried out using a simple random sampling method (Ghozali, 2016).

Description of Research Variables

The research uses 3 (three) kinds of variables, namely (1) independent variable (organizational culture and job satisfaction), (2) intervening variable (OCB), (3) dependent variable (employee performance). The operational definition of variables for each variable is presented in Table 4.

No.	Variable	Indicator	Source
1.	Organizational Culture (X1)	1. Result orientation	(S. Robbins, 2011)
		2. Attention to detail	
		3. Result orientation	
		4. Individual orientation	
		5. Team orientation	
		6. Aggressiveness	
		7. Stability	
2.	Job Satisfaction (X2)	1. Ability Utilization	(S. Robbins & Judge, 2008)
		2. Achievement	
		3. Recognition	
		4. Variety	
		5. Responsibility	
		6. Advancement	

GENERAL MANAGEMENT

		7. Compensation	
		8. Supervision Human Relation	
		9. Technical Supervision	
		10. Conditions	
		11. Company Policies and Practice	
		12. Job Security	
		13. Social Status	
		14. Authority	
		15. Creativity	
		16. Coworkers	
		17. Independence	
		18. Moral Value	
		19. Activity	
		20. Social Service	
3.	Organizational Citizenship Behavioral (Z)	1. Altruism	(Organ et al., 2006)
		2. Civic virtue	
		3. Conscientiousness	
		4. Courtesy	
		5. Sportsmanship	
4.	Employee Performance (Y)	1. Quality	(Bernardin, H. J dan Russell, 2013)
		2. Quantity	
		3. Punctuality	
		4. Effectiveness	
		5. Independence	

Table 4: Definition of Operational Variables

Data Analysis

This study uses three data analyzes, namely: descriptive analysis, test the validity & reliability of the data and path analysis. Descriptive analysis aims to describe the research variables. Test the validity and reliability of the data used to

measure the research measuring instrument in the form of a questionnaire. Finally, path analysis is a part of regression analysis which is used to analyze the causal relationship between variables where the independent variable affects the dependent variable, either directly or indirectly, through one or more intermediary variables.

4. Results and Discussion

Characteristics of Respondents

Information		Number of Respondents	Present age
Gender	Man	32	60,4
	Woman	21	39,6
Age	21 - 35	28	52,8
	36 - 45	20	37,7
	46 <	5	9,4
Working Time	1 – 10 Year	35	66,0
	11 – 20	15	28,3
	>21	3	5,66
Education	SMA	7	13,2
	S1	44	83,1
	S2	2	3,77

Table 5: Respondents Statistical Data

GENERAL MANAGEMENT

Validity and Reliability Test Results of Research Variables

Indicator X1	r count	r table	Information
X1.1	0,603	0,2656	Valid
X1.2	0,363	0,2656	Valid
X1.3	0,478	0,2656	Valid
X1.4	0,426	0,2656	Valid
X1.5	0,535	0,2656	Valid
X1.6	0,620	0,2656	Valid
X1.7	0,505	0,2656	Valid

Table 6: Test the Validity of Organizational Culture Variables (X1)

Indicator X2	r count	r table	Information
X2.1	0,411	0,2656	Valid
X2.2	0,463	0,2656	Valid
X2.3	0,509	0,2656	Valid
X2.4	0,559	0,2656	Valid
X2.5	0,583	0,2656	Valid
X2.6	0,625	0,2656	Valid
X2.7	0,562	0,2656	Valid
X2.8	0,658	0,2656	Valid
X2.9	0,590	0,2656	Valid
X2.10	0,377	0,2656	Valid
X2.11	0,675	0,2656	Valid
X2.12	0,493	0,2656	Valid
X2.13	0,571	0,2656	Valid
X2.14	0,604	0,2656	Valid
X2.15	0,514	0,2656	Valid
X2.16	0,593	0,2656	Valid
X2.17	0,480	0,2656	Valid
X2.18	0,572	0,2656	Valid
X2.19	0,694	0,2656	Valid
X2.20	0,507	0,2656	Valid

Table 7: Validity Test of Job Satisfaction Variables (X2)

Indicator Z	r count	r table	Information
Z1.1	0,432	0,2656	Valid
Z1.2	0,547	0,2656	Valid
Z1.3	0,703	0,2656	Valid
Z1.4	0,493	0,2656	Valid
Z1.5	0,491	0,2656	Valid

Tabel 8: Uji Validitas Variabel OCB (Z)

Indicator X	r count	r table	Information
Y1.1	0,732	0,2656	Valid
Y1.2	0,589	0,2656	Valid
Y1.3	0,700	0,2656	Valid
Y1.4	0,600	0,2656	Valid
Y1.5	0,562	0,2656	Valid

Table 9: Validity Test of Employee Performance Variables (Y)

GENERAL MANAGEMENT

Variable	Cronbach's Alpha	Alpha Standard	Information
X1	0,818	> 0,7	Reliable
X2	0,915	> 0,7	Reliable
Z	0,818	> 0,7	Reliable
Y	0,876	> 0,7	Reliable

Table 10: Reliability Test Results

Based on tables 6,7,8, 9 it can be seen that the correlation value between indicators is above the total score. In other words, r arithmetic is greater than r table and is positive, so it can be concluded that all indicators of variable statements X1 (organizational culture), X2 (job satisfaction), Z (OCB) and Y (employee performance) are declared valid. Based on table 10, it can be seen that all research variables have a Cronbach's Alpha value of more than 0.7, thus it can be said that all variables in this study have passed the reliability test.

Path Analysis Results

This section describes each path in the model section using path analysis. Each of the tested pathways shows direct and indirect effects. Knowing whether or not the paths are significant will answer whether the proposed hypothesis is accepted or rejected. Each path tested represents the hypothesis in this study. The path coefficient values are presented in table 11.

			Estimate	S.E	C.R	P	Result
Z	< ---	X1	.508	.176	2.887	0.004	Significant
Z	< ---	X2	.423	.171	2.477	0.13	Significant
Y	< ---	X1	.300	.141	2.119	0.34	Significant
Y	< ---	X2	.313	.135	2.324	0.020	Significant
Y	< ---	Z	.541	.104	5.223	0.000	Significant

Table 11: Hypothesis Test Results

As mentioned in the literature review, this study suggests five hypotheses. All hypotheses (H1, H2, H3, H4, H5) are all accepted. All accepted hypotheses have beta coefficients and convincing significance levels. Therefore, the acceptance of

the hypothesis is not in the gray area or has an impossible magnitude. To get a better understanding, the test is visualized in Figure 2.

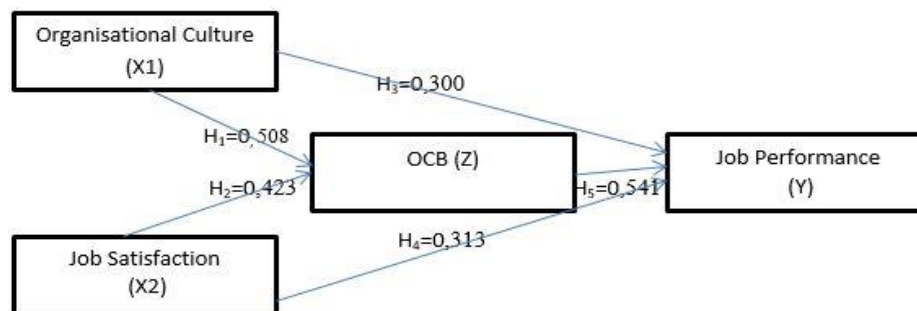


Figure 2: Models for Improving OCB and Performance

Discussion

The results of statistical analysis state that organizational culture has an effect on organizational citizenship behavior. Thus the first hypothesis which says that organizational culture has an effect on organizational citizenship behavior is accepted (H1 is accepted). The test results show that the organizational culture variable has a positive and significant

effect on organizational citizenship behavior. The positive effect shows that the better the organizational culture and is applied and obeyed, the better the organizational citizenship behavior is compared to employees. Theoretically, that a good organizational culture has been applied to an organization for a long time, usually the habit is rooted and has been embedded in the minds of employees. Good habits that have been embedded in employees will usually be followed by good behavior from employees. This finding is in accordance with

research conducted by: (Wira Saputra & Supartha, 2019), (Udayani & Sunariani, 2019), (Nadeak, 2016), (Maulani et al., 2015), (Winoto et al., 2020), (Satya Nugraha & Ayu Dewi Adnyani, 2017), (Rosyada (Wira Saputra & Supartha, 2019), (Udayani & Sunariani, 2019), (Nadeak, 2016), (Maulani et al., 2015), (Winoto et al., 2020), (Satya Nugraha & Ayu Dewi Adnyani, 2017), (Rosyada & Rahadjo, 2016), (Pemayun & Wibawa, 2017), (Warsito, 2014), (Rini et al., 2013). However, (Sanhaji et al., 2016), (Hayati, 2020) concluded that organizational culture does not affect employee OCB. The cause of the difference in findings is probably due to differences in organizational culture that is owned by each organization which is indeed different. Each organization has its own culture that will be applied in every organization it has.

The results of statistical analysis stated that job satisfaction affected the Organizational Citizenship Behavioral. Thus the second hypothesis says that job satisfaction affects the Organizational Citizenship Behavioral accepted (H2 is accepted). The test results indicate that the job satisfaction variable has a positive and significant effect on the Organizational Citizenship Behavioral. The positive influence shows that more employees in an organization are satisfied with their work, they like the work that has become a job. Employees who enjoy work and feel satisfied means they are exercised without the pressure of the leadership, but they work in accordance with existing SOPs and even they work more than the set time. This finding is in line with the research conducted by: (Sabahi & Sanai Dashti, 2016), (Saraswati, 2017), (Fitrio et al., 2019), (Margahana et al., 2018), (Iswara Putra & Kartika Dewi, 2016), (Barlian Noer, 2010), (Waspodo & Minadaniati, 2012), (Yuliani & Katim, 2017), (Bayu Putra Mahardika & Wibawa, 2018), (Darmawati & Indartono, 2015), (Nurnaningsih & Wahyono, 2017), (Mahmudi & Surjanti, 2020), (Rini et al., 2013). While these findings are not supported by research conducted by (Putrana et al., 2016), (Bharata et al., 2016).

The results of the study stated that organizational culture had an effect on employee performance. Thus the third hypothesis that said that organizational culture affected the performance of employees received (H3 received). The test results indicate that organizational cultural variables have a positive and significant effect on employee performance. The positive influence shows that the better organizational culture and applied and obey it will be able to improve performance than employees. In theory that the organizational culture is good and has long been applied to an organization, usually the habit has been rooted and has been embedded in the minds of employees. Good habits that have been embedded in employees will usually be followed by good behavior from employees. Good habits usually also have an impact on the work assigned to them and eventually impact Huga's performance. This finding is in accordance with the research conducted by (Saban et al., 2020), (Ojo, 2009), (Messner, 2013), (Achmad, 2016), (Manggis et al., 2018), (Rina & Perdana, 2017), (Sangadji, 2009), (Antoro, 2014), (Ikhsan, 2016), (Wambugu, 2014). While research that does not support is research conducted by (Hermawan et al., 2020), (Atikah & Qomariah, 2020).

The results of statistical analysis state that job satisfaction has an effect on employee performance. Thus the fourth hypothesis which says that job satisfaction affects employee performance is accepted (H4 is accepted). The test results show that the variable job satisfaction has a positive and significant effect on employee performance. This positive influence shows that the more satisfied employees in an organization with their work, the more they like the work that has become their job. Employees who like work and feel satisfied mean they work without any pressure from the

leadership, but they work according to the existing SOPs and even work beyond the set time. This is what will cause their work to be completed and their performance is good. This finding is in line with research conducted by: (Inuwa, 2016), (Khan et al., 2012), (Mossholder et al., 1981), (Saleh et al., 2016), (Sadariah, 2019), (Shmailan, 2016), (Saputra et al., 2016), (Arda, 2017), (Hochwarter et al., 1999), (Indrawati, 2013), (Farooqui & Nagendra, 2014), (Ali & Farooqi, 2014), (Changgriawan, 2017), (Kharisma et al., 2019). Study (Abidin et al., 2020) does not support this research.

The results of statistical analysis stated that the Organizational Citizenship Behavior had an effect on employee performance. Thus the fifth hypothesis that says that Organizational Citizenship Behavior has an effect on the performance of employees received (H5 accepted). The test results indicate that the variable organizational citizenship behavioral has a positive and significant effect on employee performance. The positive influence shows that the better OCB of employees in an organization, they will work with enthusiasm for this institution in accordance with existing regulations even those sometimes do more than what should be done. Employees who have such nature automatically the work given to him will finish on time and even before the specified time. Thus their performance will be good. This finding is in line with the research conducted by: (Susanti Gunawan et al., 2013), (Suzanna, 2017), (Kurniawan et al., 2019b), (Ekowati et al., 2013), (Putri & Utami, 2017), (Chelagat et al., 2015), (Bommer et al., 2007), (Ticoalu, 2013), (Sari & Sus, 2015), (Singh et al., 2019), (Fitriastuti, 2013), (Jufrizen et al., 2020), (Vipraprastha et al., 2018), (Chandra et al., 2020), (Luthfi et al., 2021), (Novelia et al., 2016), (S. Hidayah & Harnoto, 2018). Study (Nur Agustiniingsih et al., 2016) does not support this research.

5. Conclusions And Suggestions

Based on the results of calculations and also the theory and the results of the previous study, this study resulted in the following conclusions: (1) Yag organizational culture applied at the University of Muhammadiyah Jember was able to increase the OCB owned by employees. Therefore this good organizational culture needs to be maintained so that and continue to be evaluated in order to provide a good example for employees; (2) Employee job satisfaction can increase OCB. Employees at the University of Muhammadiyah Jember feel comfortable working so they feel satisfied and can finally increase the OCB they have; (3) Organizational culture affects employee performance. The culture applied at the University of Muhammadiyah Jember was able to improve employee performance. This means that leaders can provide examples that existing culture must exist must be obeyed and applied so that it can improve performance; (4) Job satisfaction affects the performance of employees. This means that employees in work are already satisfied so that they can do work on time which eventually also has an impact on employee performance; (5) OCB affects employee performance. Ha means the employees at the University of Muhammadiyah Jember have done work well and even they do more than what they should do. Therefore it can be said that OCB can improve performance.

The suggestions that can be given in this study are: (1) for further research in order to add to the Jumlag of Respondents to be used in research; (2) The variable of the research used contributed by 68% of the improvement of employee performance, this means opening opportunities for the next researcher to use other variables that can improve employee performance.

References

- [1] Abidin, Z., Adam, S., & Hadi, C. (2020). The Effect of Work Satisfaction and Work Spirituality on Performance through Organizational Commitments: a Quantitative Approach to College Lecturers in Ternate, Indonesia. *International Journal of Innovation, Creativity and Change*, 13(8), 433–449. https://www.ijicc.net/images/vol_13/Iss_8/13832_Marasabessy_2020_E_R.pdf
- [2] Abusama, M., Haming, M., Hamzah, M. N., & Ramlawati. (2017). Effect of motivation, competence and Islamic leadership on job satisfaction and Teacher performance in vocational high school. doi:10.31227/osf.io/r53qx
- [3] Achmad, S. H. (2017). The Effect Of Competency, Motivation, And Organizational Culture On The Employee Performance At The Jayakarta Hotel, Bandung, Indonesia. *Journal of Business on Hospitality and Tourism*, 2(1), 120. doi:10.22334/jbhost.v2i1.48
- [4] Adam, F., & Kamase, J. (2019). The effect competence and motivation to satisfaction and performance. *International Journal of Scientific and Technology Research*, 8(3), 132–140.
- [5] Adha, R. N., Qomariah, N., & Hafidzi, A. H. (2019). Pengaruh Motivasi Kerja, Lingkungan Kerja, Budaya Kerja Terhadap Kinerja Karyawan Dinas Sosial Kabupaten Jember. *Jurnal Penelitian IPTEKS*, 4(1), 47. doi:10.32528/ipteks.v4i1.2109
- [6] Ahmad, M. A., Talib, B., & Tiro, M. A. (2014). The Influence Of Certification Toward Work Motivation, Job Satisfaction And Performance Of State High Schools Guidance And Counseling Teacher In South Sulawesi. *International Journal of Scientific and Technology Research*, 3(8), 386–394. <https://www.ijstr.org/final-print/aug2014/The-Influence-Of-Certification-Toward-Work-Motivation-Job-Satisfaction-And-Performance-Of-State-High-Schools-Guidance-And-Counseling-Teacher-In-South-Sulawesi.pdf>
- [7] Alghnimi, A. A. W. M., Habeeb, L. M., & Kadhim, R. I. (2020). The mediating effect of employee engagement between sustainable hr practices and job performance. *International Journal of Innovation, Creativity and Change*, 13(6), 643–659. https://www.ijicc.net/images/vol_13/Iss_6/13672_Alghnimi_2020_E_R.pdf
- [8] Ali, S., & Farooqi, Y. A. (2014). Effect of Work Overload on Job Satisfaction, Effect of Job Satisfaction on Employee Performance and Employee Engagement (A Case of Public Sector University of Gujranwala Division). *International journal of Multidisciplinary Sciences and Engineering*, 5(8), 23–30. [file:///C:/Users/Steve/Documents/Argosy EdD OL/Leadership articles/Org Behavior/work overload_job satisfaction_engagement.pdf](file:///C:/Users/Steve/Documents/Argosy%20EdD%20OL/Leadership%20articles/Org%20Behavior/work%20overload%20job%20satisfaction%20engagement.pdf)
- [9] Amdani, D., Sinulingga, S., Absah, Y., & Muda, I. (2019). The effect of competence and organizational culture on employee performance of ganesha medan polytechnic. *International Journal of Scientific and Technology Research*, 8(4), 155–159.
- [10] Anggitaningsih, R., & Handriyono, H. (2019). Effect Of Environmental Work Leadership Style Compensation On Employee Productivity Intervening As Employee Satisfaction In Business Unit Pt. Brantas Bipraya In Jakarta. *International Journal of Scientific and Technology Research*, 8(7), 182–189.
- [11] Antoro, D. (2014). Pengaruh Kepemimpinan, Budaya Organisasi, Dan Komitmen Manajemen Puncak Terhadap Transferknowledge Dan Dampaknya Terhadap Kinerja Dosen. *Jurnal Bisnis dan Ekonomi*, 21(299), 99–115.
- [12] Arda, M. (2017). Pengaruh Kepuasan Kerja Dan Disiplin Kerja Terhadap Kinerja Karyawan Pada Bank Rakyat Indonesia Cabang Putri Hijau Medan. *Jurnal Ilmiah Manajemen Dan Bisnis*, 18(1), 45–60. doi:10.30596/jimb.v18i1.1097
- [13] Arianto, D. (2017). Pengaruh Kepuasan Kerja terhadap Kinerja Karyawan melalui Organizational Citizenship Behavior sebagai Variabel Intervening (Studi pada Staff PT Kepuh Kencana Arum Mojokerto. *Jurnal Ilmu Manajemen*, 5(3), 1–9.
- [14] Atikah, K., & Qomariah, N. (2020). The effect of leadership style, organizational culture and motivation on employee performance. *Jurnal Manajemen dan Bisnis Indonesia*, 6(2), 216–227. <https://doi.org/10.5267/j.msl.2020.2.008>
- [15] Atmojo, M. (2012). The Influence of Transformational Leadership on Job Satisfaction, Organizational Commitment, and Employee Performance. *International Research Journal of Business Studies*, 5(2), 113–128. doi:10.21632/irjbs.5.2.113-128
- [16] Ayuningtyas, H. F., & Utami, C. W. (2019). The influence of leadership style of first generation, compensation and job satisfaction against the employee performance in foundation of perkumpulan pengelola pendidikan Sejahtera Surabaya. *International Journal of Scientific and Technology Research*, 8(7), 565–569.
- [17] Azhad, M. N., Anwar, & Qomariah, N. (2015). *Manajemen Sumber Daya Manusia*. Cahaya Ilmu.
- [18] Barlian Noer, A. (2010). Pengaruh Tipe Kepribadian, Kontrak Psikologis, Komitmen Organisasi, Motivasi dan Kepuasan Kerja Terhadap OCB dan Kinerja Karyawan di Rumah Sakit Paru Kabupaten Jember. *Jurnal Aplikasi Bisnis dan Manajemen*, 2(1), 363–373.
- [19] Basri, S. K., & Rauf, R. (2021). Pengaruh Semangat Kerja dan Kepuasan Kerja terhadap Kinerja Pegawai Pendahuluan. *Journal of Management*, 4(1), 103–120. <https://doi.org/10.37531/yum.v11.76>
- [20] Basriani, A. (2016). Pengaruh kompetensi dan komitmen organisasi terhadap kepuasan kerja dan kinerja dosen (studi pada yayasan pendidikan persada bunda pekanbaru). *Tepak Manajemen Bisnis*, VIII(1), 21–34.
- [21] Bayu Putra Mahardika, I. N., & Wibawa, I. M. A. (2018). PENGARUH BUDAYA ORGANISASI KEPUASAN KERJA DAN KOMITMEN ORGANISASIONAL TERHADAP ORGANIZATIONAL CITIZENSHIP BEHAVIOR PADA KARYAWAN. *E-Jurnal Manajemen Universitas Udayana*, 8(1), 380. doi:10.24843/ejmunud.2019.v08.i01.p14
- [22] Belonio, R. J. (2012). The effect of leadership style on employee satisfaction and performance of bank employees in bangkok. *Journal of Business and Psychology*, 5(2), 111–116. <http://www.assumptionjournal.au.edu/index.php/AU-GSB/article/view/480/429>
- [23] Bernardin, H. J dan Russell, J. E. A. (2013). *Human Resource Management*, Sixth Edition. McGrawHill.
- [24] Bharata, Zunaidah, & Diah, Y. M. (2016). PENGARUH KEPUASAN KERJA DAN BUDAYA ORGANISASI TERHADAP ORGANIZATIONAL CITIZENSHIP BEHAVIOR (OCB) DI PT PUPUK SRIWIDJAJA PALEMBANG (KASUS DI DIVISI TEKNOLOGI. *Jurnal Manajemen dan Bisnis Sriwijaya*, 14(2).
- [25] Bommer, W. H., Dierdorff, E. C., & Rubin, R. S. (2007). Does Prevalence Mitigate Relevance? The Moderating Effect of Group-Level OCB on Employee Performance. *Academy of Management Journal*, 50(6), 1481–1494. doi:10.5465/amj.2007.28226149
- [26] Brahmasari, I. A., & Suprayetno, A. (2008). Pengaruh Motivasi Kerja, Kepemimpinan dan Budaya Organisasi Terhadap Kepuasan Kerja Karyawan serta Dampaknya pada Kinerja Perusahaan (Studi kasus pada PT. Pei Hai International Wiratama Indonesia). *Jurnal Manajemen dan Kewirausahaan*, 10(2), 124–135.
- [27] Brury, M. (2016). Pengaruh Kepemimpinan, Budaya Organisasi, Motivasi Kerja Dan Kepuasan Kerja Terhadap Kinerja Pegawai Pada Kantor SAR Sorong. *Jurnal Riset Bisnis Dan Manajemen*, 4(1), 1–16.
- [28] Chandra, J. A., G, N. N. P. M., & Qomariah, N. (2020). Impact of Organizational Citizenship Behavior, Leadership, Individual Characteristics and Competence on Teacher Performance. *Jurnal Manajemen dan Bisnis Indonesia*, 6(2), 244–256.

- [29] Changgriawan, G. S. (2017). Pengaruh Kepuasan Kerja dan Motivasi Kerja Terhadap Kinerja Karyawan One Way Production. *Jurnal Agora*, 5(3), 1–7. <http://publication.petra.ac.id/index.php/manajemen-bisnis/article/view/6095/5593>
- [30] Chelagat, L. J., Chepkwony, P. K., & Kemboi, A. (2015). Effect of Organizational Citizenship Behavior on Employee Performance in Banking Sector, Nairobi County, Kenya. *International Journal of Business, Humanities and Technology*, 5(4), 55–61.
- [31] Daft, R. L. (2001). *Organizational Theory and Design*, 7th ed. South Western College Publishing.
- [32] Darma, S. P., & Supriyanto, A. S. (2018). THE EFFECT OF COMPENSATION ON SATISFACTION AND EMPLOYEE PERFORMANCE. *Management and Economics Journal*, 3(2), 105–123.
- [33] Darmawati, A., & Indartono, S. (2015). PENGARUH KEPUASAN KERJA TERHADAP ORGANIZATIONAL CITIZENSHIP BEHAVIOR DENGAN KOMITMEN ORGANISASI SEBAGAI VARIABEL MEDIASI. *JURNAL ILMU MANAJEMEN*, 12(2), 49–64. doi:10.21831/jim.v12i2.11749
- [34] Davis, K., & Newstorm, J. W. (2008). *Perilaku Dalam Organisasi*. Erlangga.
- [35] Dolphina, E. (2012). Pengaruh Motivasi, Kepemimpinan Dan Budaya Kerja Terhadap Kepuasan Kerja Karyawan Serta Dampaknya Pada Kinerja Perusahaan. *Seminar Nasional Teknologi Informasi & Komunikasi Terapan 2012 (Semantik 2012)*, 2012(Semantik), 1–7. <http://publikasi.dinus.ac.id/index.php/semantik/article/view/220/232>
- [36] Ekowati, V. M., Troena, E. A., & Noermijati, N. (2013). Organizational Citizenship Behavior Role in Mediating the Effect of Transformational Leadership, Job Satisfaction on Employee Performance: Studies in PT Bank Syariah Mandiri Malang East Java. *International Journal of Business and Management*, 8(17). doi:10.5539/ijbm.v8n17p1
- [37] Fachreza, Musnadi, S., & Majid, M. S. A. (2014). Pengaruh Motivasi kerja, lingkungan kerja, dan budaya organisasi terhadap kinerja karyawan dan dampaknya pada kinerja Bank Aceh Syariah di Kota Banda Aceh. *Jurnal Magister Manajemen*, V(1), 42–56. <https://www.google.com/url?sa=t&rct=j&q=&esrc=s&source=web&cd=1&cad=rja&uact=8&ved=2ahUKEwiHnMrM7dvjAhWKpl8KHZ8FD2gQFjAAegQIAxAC&url=http%3A%2F%2Fjournal.umy.ac.id%2Findex.php%2Fbti%2Farticle%2Fdownload%2F2451%2F2431&usq=AOvVaw2eWz9IL0SzcSKDquKhp8z>
- [38] Farooqui, M. S., & Nagendra, A. (2014). The Impact of Person Organization Fit on Job Satisfaction and Performance of the Employees. *Procedia Economics and Finance*, 11(14), 122–129. [https://doi.org/10.1016/s2212-5671\(14\)00182-8](https://doi.org/10.1016/s2212-5671(14)00182-8)
- [39] Feel, N. H., Herlambang, T., & Rozzaid, Y. (2018). Pengaruh Disiplin Kerja, Budaya Organisasi Dan Lingkungan Kerja Terhadap Kinerja Pegawai. *Penelitian Ipteks*, 3(2), 176–185.
- [40] Fitriastuti, T. (2013). PENGARUH KECERDASAN EMOSIONAL, KOMITMEN ORGANISASIONAL DAN ORGANIZATIONAL CITIZENSHIP BEHAVIOR TERHADAP KINERJA KARYAWAN. *Jurnal Dinamika Manajemen*, 4(2), 103–114.
- [41] Fitrio, T., Apriansyah, R., Utami, S., & Yaspita, H. (2019). The Effect of Job Satisfaction to Organizational Citizenship Behavior (OCB) Mediated by Organizational Commitment. *International Journal of Scientific Research and Management*, 7(09). doi:10.18535/ijstrm/v7i9.em01
- [42] Giri, E. E., Nimran, U., Hamid, D., Musadieg, A., & Al Musadieg, M. (2011). The Effect of Organizational Culture and Organizational Commitment to Job Involvement, Knowledge Sharing, and Employee Performance: A Study on Regional Telecommunications Employees of PT Telkom, East Nusa Tenggara Province, Indonesia. *International Journal of Management and Administrative Sciences*, 3(04), 20–33. www.ijmas.org
- [43] Habba, D., Modding, B., Bima, M. J., & Bijang, J. (2017). The Effect of Leadership, Organisational Culture and Work Motivation on Job Satisfaction and Job Performance among Civil Servants in Maros District Technical Working Unit. *IRA-International Journal of Management & Social Sciences (ISSN 2455-2267)*, 7(1), 52. doi:10.21013/jmss.v7.n1.p7
- [44] Handoko, H. (2010). *Manajemen Personalia Sumber Daya Manusia*. In BPFE UGM Persada (Edisi Ke 2). <https://doi.org/10.4324/9780203488430>
- [45] Harianto, E., Kusmaningtyas, A., & Brahmasari, I. aju. (2016). Model Karakteristik individu, budaya korporat, entrepreneurial leadership dan reward system terhadap corporate entrepreneurship dan dampaknya terhadap kinerja manajer: Studi pada industri proteksi. *Jurnal Doktor Ekonomi*, 1(1), 1–22.
- [46] Haryati, D. N. (2019). Pengaruh Motivasi dan Kepribadian terhadap Organizational Citizenship Behavior dengan Budaya Organisasi sebagai Variabel Moderasi. *Jurnal Maksipreneur: Manajemen, Koperasi, Dan Entrepreneurship*, 9(1), 28. doi:10.30588/jmp.v9i1.433
- [47] Haryati, E., Mariatin, E., & Supriyantini, S. (2014). Pengaruh Persepsi Kepemimpinan Transformasional dan Budaya Organisasi terhadap Organizational Citizenship Behavior. *Analitika Jurnal Universita Sumatera Utara*, 6(2), 105–113.
- [48] Hasibuan. (2018). *Manajemen Sumber Daya Manusia (Ed. Revisi)*. PT Bumi Aksara.
- [49] Hasibuan, E. A., & Afrizal. (2019). ANALISIS PENGARUH KOMPETENSI, LINGKUNGAN KERJA, DAN KOMPENSASI TERHADAP KEPUASAN KERJA DAN IMPLIKASINYA TERHADAP KINERJA APARATUR SIPIL NEGARA Erni. *JEM: Jurnal Ekonomi dan Manajemen STIE Pertiba Pangkalpinang*, 5(1), 22–41.
- [50] Hayati, N. (2020). Pengaruh Persepsi Dukungan Organisasi dan Budaya Organisasi Terhadap Organizational Citizenship Behavior Melalui Kepuasan Kerja. *Jurnal Ekonomi Manajemen-Akuntansi*, 16(2), 54–61.
- [51] Qomariah, N., Hermawan, H., Isnaini, N. H., & Naely Azhad, M. (2020). How to Improve Employee Performance at Level 1 Health Facilities During the Covid 19 Pandemic? *International Journal of Engineering Research and Technology*, 13(9), 2511. doi:10.37624/ijert/13.9.2020.2511-2518
- [52] Hidayah, S., & Harnoto, H. (2018). Role of Organizational Citizenship Behavior (OCB), Perception of Justice and Job Satisfaction on Employee Performance. *Jurnal Dinamika Manajemen*, 9(2), 170–178. doi:10.15294/jdm.v9i2.14191
- [53] Hidayah, T., & Tobing, D. S. K. (2018). The influence of job satisfaction, motivation, and organizational commitment to employee performance. *International Journal of Scientific and Technology Research*, 7(7), 122–127. <https://www.ijstr.org/final-print/july2018/The-Influence-Of-Job-Satisfaction-Motivation-And-Organizational-Commitment-To-Employee-Performance.pdf>
- [54] Viktoriia I. Prokopchuk; Iryna Revenko; Yuliya M. Demchenko; Olga B. Blaga; Vitaliia V. Tarasova. "Increasing Motivation of Primary School Pupils' Studying". *Journal for Educators, Teachers and Trainers*, 11, 1, 2020, 19-29. doi: DOI: 10.47750/jett.2020.11.01.003
- [55] <http://bogor-kota.muhammadiyah.or.id/id/artikel-jumlah-perguruan-tinggi-muhammadiyah-dan-aisyiyah-hingga-januari-2021-hampir-di-seluruh-provinsi-detail-1456.html>. (2021).
- [56] <https://databoks.katadata.co.id/datapublish/2021/03/23/jumlah-perguruan-tinggi-swasta-cenderung-menurun-sejak-2014>. (2021).
- [57] <https://pwwu.co/30262/05/17/6-unmuh-masuk-22-kampus-unggul-di-jatim-umm-juara-pertama-sejak-10-tahun-lalu/>. (2020).
- [58] Husodo, Y. R. P. (2018). Pengaruh Budaya Organisasi Terhadap Organizational Citizenship Behavior (OCB) Dengan

- Kepuasan Kerja Sebagai Variabel Intervening Pada PT. Jatim Indo Lestari. *Manajemen, Agora*, 6(1), 1–8. <http://publication.petra.ac.id/index.php/manajemen-bisnis/article/view/6475>
- [59] Ikhsan, A. (2016). Analisis Pengaruh Budaya Organisasi Dan Kepuasan Kerja Terhadap Kinerja Karyawan Non Dosen Pada Universitas Mercu Buana Jakarta. *Jurnal Ilmiah Manajemen dan Bisnis*, 2(1), 438–456. <https://doi.org/10.22441/jimb.v2i1.3688>
- [60] Nur, I., & Widhi, L. (2019). The effect of leadership on job satisfaction, work motivation and performance of employees: Studies in AMIK Yapennas Kendari. *African Journal of Business Management*, 13(14), 465–473. doi:10.5897/ajbm2019.8794
- [61] Indiyarningsih, K. M. H., Murdyastuti, A., & Puspitaningtyas, Z. (2020). Effect of human resource competency, work culture and utilization of information technology to performance of employees. *International Journal of Scientific and Technology Research*, 9(4), 3636–3641.
- [62] Indrawati, A. D. (2013). Pengaruh Kepuasan Kerja Terhadap Kinerja Karyawan Dan Kepuasan Pelanggan Pada Rumah Sakit Swasta Di Kota Denpasar. *Jurnal Manajemen, Strategi Bisnis dan Kewirausahaan*, 7(2), 135–142.
- [63] Inuwa, M. (2016). Job Satisfaction and Employee Performance: An Empirical Approach. *The Millennium University Journal*, 1(1), 90–103.
- [64] Iskandar, S., & Juhana, E. (2014). Pengaruh Kompetensi Dan Lingkungan Kerja Terhadap Kepuasan Kerja Serta Implikasinya Pada Kinerja Guru Di SDN Baros Mandiri 5 Kota Cimahi. *Jurnal Ekonomi, Bisnis & Entrepreneurship*, 8(2), 86–98. <http://jurnal.stiepas.ac.id/index.php/jebe/article/view/41>
- [65] Iswara Putra, B., & Kartika Dewi, A. (2016). Pengaruh Kepuasan Kerja Dan Komitmen Organisasional Terhadap Organizational Citizenship Behavior. *E-Jurnal Manajemen Universitas Udayana*, 5(8), 255043. <https://doi.org/10.21831/economia.v9i1.1372>
- [66] Jufrizen, J., Farisi, S., Azhar, M. E., & Daulay, R. (2020). MODEL EMPIRIS ORGANIZATIONAL CITIZENSHIP BEHAVIOR DAN KINERJA DOSEN PERGURUAN TINGGI SWASTA DI MEDAN. *EKUITAS (Jurnal Ekonomi Dan Keuangan)*, 4(2), 145–165. doi:10.24034/j25485024.y2020.v4.i2.4159
- [67] Khan, A. H., Nawaz, M. M., Aleem, M., & Hamed, W. (2012). Impact of job satisfaction on employee performance: An empirical study of autonomous Medical Institutions of Pakistan. *African Journal of Business Management*, 6(7), 2697–2705. <https://doi.org/10.5897/AJBM11.2222>
- [68] Kharisma, M., Prasilowati, S. L., & Ayuningtyas, E. A. (2019). PENGARUH BUDAYA ORGANISASI DAN KEPUASAN KERJA TERHADAP KINERJA KARYAWAN DENGAN KOMITMEN ORGANISASI SEBAGAI VARIABEL INTERVENING. *Jurnal Pengembangan Wiraswasta*, 21(2), 135. doi:10.33370/jpw.v21i2.342
- [69] Kosasih, A. (2018). Pengaruh Kepemimpinan Transformasional, Budaya Organisasi dan Motivasi Kerja Pegawai terhadap Kepuasan Kerja Pegawai serta Implikasinya pada Kinerja Pegawai PDAM di Propinsi Banten. *Journal of Government and Civil Society*, 1(2), 159. doi:10.31000/jgcs.v1i2.442
- [70] Kridharta, D., & Rusdianti, E. (2017). ANALISIS PENGARUH KARAKTERISTIK INDIVIDU, KOMITMEN ORGANISASI, DAN KEPUASAN KERJA TERHADAP KINERJA KARYAWAN DENGAN MOTIVASI SEBAGAI VARIABEL INTERVENING. *Jurnal Riset Ekonomi Dan Bisnis*, 10(3), 232. doi:10.26623/jreb.v10i3.882
- [71] Kurniawan, R. A., Qomariah, N., & Winahyu, P. (2019a). Dampak Organizational Citizenship Behavior, Motivasi Kerja, Dan Kepuasan Kerja Terhadap Kinerja Karyawan. *Jurnal Penelitian Ilmu Manajemen*, 4(4), 148–160.
- [72] Kurniawan, R. A., Qomariah, N., & Winahyu, P. (2019b). Dampak Organizational Citizenship Behavior, Motivasi. *Jurnal Penelitian IPTEKS*, 4(2), 148–160.
- [73] Lestari, E. R., & Ghaby, N. K. F. (2018). The Influence of Organizational Citizenship Behavior (OCB) on Employee's Job Satisfaction and Performance. *Industria: Jurnal Teknologi Dan Manajemen Agroindustri*, 7(2), 116–123. doi:10.21776/ub.industria.2018.007.02.6
- [74] Lestyanie, D. A., & Yanuar. (2019). Pengaruh Budaya Organisasi, Keadilan Terhadap Ocb, Komitmen Sebagai Intervening Pada CV. Cempaka. *Jurnal Manajerial dan Kewirausahaan*, 1(2), 191–198.
- [75] Lotunani, A., Idrus, M. S., Afnan, E., & Setiawan, M. (2014). The Effect of Competence on Commitment, Performance and Satisfaction with Reward as a Moderating Variable (A Study on Designing Work plans in Kendari City Government, Southeast Sulawesi). *International Journal of Business and Management Invention*, 3(2), 18–25.
- [76] Lukito, R. (2020). Pengaruh Organizational Citizenship Behaviour Terhadap kinerja karyawan melalui kepuasan kerja pada produksi PVC di UD. Untung Jaya Sidoarjo. *Agora*, 8(2).
- [77] Luthans, F. (2014). *Organization Behavior*. McGraw Hill International.
- [78] Luthfi, M., Umam, K., & Pinem, R. J. (2021). PENGARUH JOB COMPETENCY DAN EMOTIONAL INTELLIGENCE TERHADAP EMPLOYEE PERFORMANCE MELALUI ORGANIZATIONAL CITIZENSHIP BEHAVIOR (Studi pada Karyawan Hotel Horison Pekalongan) Pendahuluan Robbin dan Judge (2017) mendefinisikan perilaku organisasi adalah “. *Jurnal Administrasi Bisnis*, X(2), 1096–1108.
- [79] Mahmudi, K., & Surjanti, J. (2020). Analisis Pengaruh Kepuasan Kerja, Budaya Organisasi dan Kompetensi terhadap Organizational Citizenship Behavior pada PT. Mubarak Ainama Kunt Surabaya. *Jurnal Ilmu Manajemen*, 8(3), 931. doi:10.26740/jim.v8n3.p931-945
- [80] Manggis, I. W., Yuesti, A., & Sapta, I. K. S. (2018). The Effect of Career Development and Organizational Culture to Employee Performance with Motivation of Work as Intervening Variable in Cooperation in Denpasar Village. *International Journal of Contemporary Research and Review*, 9(07), 20901–20916. doi:10.15520/ijcrr/2018/9/07/553
- [81] Mangkunegara, A. A. P. (2010). *Manajemen Sumber Daya Manusia, Cetakan Kedua*. PT Remaja Rosdakarya.
- [82] Manik, E., & Wiarah. (2014). Pengaruh Kompetensi Dan Kompensasi Terhadap Kepuasan Kerja Serta Implikasinya Pada Kinerja Paramesia Di Rumah Sakit Cibabat Kota Cimahi. *Jurnal Ekonomi, Bisnis & Entrepreneurship*, 8(2), 62–72. <http://jurnal.stiepas.ac.id/index.php/jebe/article/view/39>
- [83] Margahana, H., Haryono, S., & EQ, Z. M. (2018). The Effects of Job Motivation and Job Satisfaction Toward Organizational Citizenship Behavior (OCB) and Its Impact on Job Performance of Paramedical Community Health Centers in the City of Bandar Lampung. *Journal of Resources Development and Management*, 46(07), 1–10.
- [84] Marhayani et al. (2019). Effect of Competence and Employee Commitment To Employee Performance: Job Satisfaction As a Mediator (Study on Watering Office of Aceh Province). *International Journal of Business Management and Economic Review*, 2(1), 15–27. http://ijbmer.org/uploads2019/BMER_2_75.pdf
- [85] Maulani, V., Widiartanto, W., & Dewi, R. (2015). Pengaruh Budaya Organisasi Dan Komitmen Organisasi Terhadap Kinerja Karyawan Melalui Organizational Citizenship Behavior (Ocb) Sebagai Variabel Intervening (Studi Kasus Pada Karyawan Pt Masscom Graphy Semarang). *Jurnal Ilmu Administrasi Bisnis*, 4(3), 224–235.
- [86] Messner, W. (2013). Effect of organizational culture on employee commitment in the Indian IT services sourcing industry. *Journal of Indian Business Research*, 5(2), 76–100. doi:10.1108/17554191311320764

- [87] Moeheriono. (2014). Pengukuran Kinerja Berbasis Kompetensi Edisi Revisi. Raja Grafindo Persada.
- [88] Mossholder, K. W., Bedeian, A. G., & A. Armenakis, A. (1981). Role perceptions, satisfaction, and performance: Moderating effects of self-esteem and organizational level. *Organizational Behavior and Human Performance*, 28(2), 224–234. doi:10.1016/0030-5073(81)90023-4
- [89] Mu'ah, M. (2002). *Manajemen Sumber Daya Manusia*. Grasindo.
- [90] Arifin, H. M. (2014). The Influence of Competence, Motivation, and Organisational Culture to High School Teacher Job Satisfaction and Performance. *International Education Studies*, 8(1). doi:10.5539/ies.v8n1p38
- [91] Mukhtar, A. (2018). The effect of competence and organization culture to work satisfaction and employee performance of Sharia banks in Makassar city. *International Journal of Scientific and Technology Research*, 7(10), 1–6.
- [92] Nadeak, B. (2016). Pengaruh Budaya Organisasi Terhadap Organizational Citizenship Behavior (Ocb) Dosen Di Universitas Kristen Indonesia (Uki). *Jurnal Manajemen Pendidikan*, 5(1), 1–10.
- [93] Novelia, M., Swasto, B., & Ruhana, I. (2016). PENGARUH KOMITMEN DAN ORGANIZATIONAL CITIZENSHIP BEHAVIOR (OCB) TERHADAP KINERJA (Studi Pada Tenaga Keperawatan Rumah Sakit Umum Daerah dr. Soegiri Lamongan). *Jurnal Administrasi Bisnis S1 Universitas Brawijaya*, 38(2), 71–78.
- [94] Nur Agustiningih, H. (2016). The Effect of Remuneration, Job Satisfaction and OCB on the Employee Performance. *Science Journal of Business and Management*, 4(6), 212. doi:10.11648/j.sjbm.20160406.16
- [95] Numaningsih, S., & Wahyono. (2017). Pengaruh Kepuasan Kerja, Motivasi Kerja Dan Komitmen Organisasi Terhadap Kinerja Melalui Organizational Citizenship Behavior (Ocb) Sebagai Variabel Intervening. *Economic Education Analysis Journal*, 6(2), 365–378.
- [96] Nyoto, Purwati, A. A., & Suyono. (2020). A study on the influence of organizational culture, leadership, transformational leadership, and competency on the commitment of DPRD members and the implication to the performance of the regency/municipal DPRD members in Riau Province. *International Journal of Scientific and Technology Research*, 9(4), 596–605.
- [97] Ojo, O. (2009). Impact Assessment Of Corporate Culture On Employee Job Performance. *Business Intelligence Journal*, 2(2), 388–397.
- [98] Organ, D. W., Podsakoff, P. ., & MacKenzie, S. B. (2006). *Organizational Citizenship Behaviour: its Nature, Antecedents and Consequences*. Sage Beverly Hills.
- [99] PAAIS, M., & PATTIRUHU, J. R. (2020). Effect of Motivation, Leadership, and Organizational Culture on Satisfaction and Employee Performance. *The Journal of Asian Finance, Economics and Business*, 7(8), 577–588. doi:10.13106/jafeb.2020.vol7.no8.577
- [100] PANCASILA, I., HARYONO, S., & SULISTYO, B. A. (2020). Effects of Work Motivation and Leadership toward Work Satisfaction and Employee Performance: Evidence from Indonesia. *The Journal of Asian Finance, Economics and Business*, 7(6), 387–397. doi:10.13106/jafeb.2020.vol7.no6.387
- [101] Pemayun, I. N. G. T., & Wibawa, I. M. A. (2017). Pengaruh Stres Kerja Dan Budaya Organisasi Terhadap Organizational Citizenship Behavior. *E-Jurnal Manajemen Unud*, 6(9), 5088–5115. stres kerja, budaya organisasi, organizational citizenship behavior
- [102] Pioh, N. L., & Tawas, H. N. (2016). Pengaruh Kompensasi dan Lingkungan Kerja terhadap Kepuasan Kerja dan Kinerja Pegawai (Studi Pada PNS Di Kantor Kecamatan Sonder Kabupaten Minahasa). *Jurnal EMBA*, 4(2), 838–848.
- [103] Putrana, Y., Fathoni, A., & Warso, M. M. (2016). Pengaruh Kepuasan Kerja Dan Komitmen Organisasi Terhadap Organizational Citizenship Behavior Dalam Meningkatkan Kinerja Karyawan Pada Pt . Gelora Persada Mediatama Semarang. *Journal of Management*, 2(2), 1–14.
- [104] Putri, Y. D., & Utami, H. N. (2017). PENGARUH ORGANIZATIONAL CITIZENSHIP BEHAVIOR (OCB) TERHADAP KINERJA (Studi Pada Tenaga Perawat Ruang Rawat Inap Rumah Sakit Baptis Batu). *Jurnal Administrasi Bisnis S1 Universitas Brawijaya*, 46(1), 27–34.
- [105] Qomariah, N. (2012). Pengaruh Budaya Organisasi, Kepemimpinan Dan Komitmen Organisasi Terhadap Kinerja Dosen Pada Perguruan Tinggi Swasta Di Kabupaten Jember. *Conference In Business, Accounting, And Management (CBAM)*, 1(3), 787–801. <http://jurnal.unissula.ac.id/index.php/cbam/article/view/172>
- [106] Raffie, D. S., Azis, N., & Idris, S. (2018). Pengaruh Kompetensi, Gaya Kepemimpinan, Budaya Kerja Dan Lingkungan Kerja Terhadap Kepuasan Kerja Pegawai Dan Dampaknya Terhadap Kinerja Pegawai Kantor Kementerian Agama Kabupaten Aceh Barat. *Jurnal Magister Manajemen Fakultas Ekonomi dan Bisnis Unsyiah*, ISSN : 2302-0199, 2(1), 36–45.
- [107] Rantesalu, A., Mus, A. R., Mapparenta, & Arifin, Z. (2017). The effect of competence, motivation and organizational culture on employee performance: the mediating role of organizational commitment. doi:10.31227/osf.io/m7wqs
- [108] Renyut, B., Modding, H. B., Bima, J., & Sukmawati, S. (2017). The effect of organizational commitment, competence on Job satisfaction and employees performance in Maluku Governor's Office. *IOSR Journal of Business and Management*, 19(11), 18–29. <https://doi.org/10.31227/osf.io/hnwdt>
- [109] Riansari, T., Sudiro, A., & Rofiaty. (2012). Pengaruh Kompensasi dan Lingkungan Kerja terhadap Kepuasan Kerja dan Kinerja Karyawan (Studi Kasus PT Bank TabunganPensiunan Nasional , TbkCabang Malang). *Jurnal Aplikasi Manajemen*, 10(4), 811–820.
- [110] Rina, R., & Perdana, A. H. (2017). Pengaruh Kompetensi Budaya Organisasi dan Motivasi Terhadap Kinerja Dosen Perguruan Tinggi Swasta di Kota Makassar. *Jurnal Riset*, 3(008), 88–100. <https://doi.org/10.31219/osf.io/67n8g>
- [111] Rini, S. P., Rusdarti, & Suparjo. (2013). Pengaruh Komitmen Organisasi, Kepuasan Kerja dan Budaya Organisasi Terhadap Organizational Citizenship Behaviour (OCB). *Jurnal Ilmiah Dinamika Ekonomi dan Bisnis*, 1(1), 69–88.
- [112] Rivai, V. (2009). *Manajemen Sumber Daya Manusia Untuk Perusahaan*. Raja Grafindo Persada.
- [113] Riyanto, A., Hendriani, S., & Efni, Y. (2018). Pengaruh kepemimpinan dan budaya organisasi terhadap kepuasan kerja dan kinerja karyawan bagian produksi kelapa sawit pada pt. perkebunan nusantara v kebun sei galuh. *X(4)*, 632–649.
- [114] Robbins, S. (2011). *Perilaku Organisasi*. Salemba Empat.
- [115] Robbins, S., & Judge, T. A. (2008). *Perilaku Organisasi, Organizational Behaviour*. Gramedia Pustaka Utama.
- [116] Robbins, S. P., & Coulter, M. (2010). *Manajemen Edisi Kesepuluh*. Erlangga.
- [117] Rosyada, N. F., & Rahadjo, M. (2016). Pengaruh Budaya Organisasi Dan Komitmen Organisasi Terhadap Organizational Citizenship Behavior (OCB) Pegawai Kanwil PT. Pengadaian (Persero) Jawa Tengah. *Journal of Management*, 5(3), 1–12.
- [118] Sabahi, A. H., & Sanai Dashti, N. (2016). The effect of emotional intelligence and job satisfaction on organizational citizenship behavior. *Management Science Letters*, 475–480. doi:10.5267/j.msl.2016.6.001
- [119] Saban, D., Basalamah, S., Gani, A., & Rahman, Z. (2020). Impact Of Islamic Work Ethics, Competencies, Compensation, Work Culture On Job Satisfaction And Employee Performance:

- The Case Of Four Star Hotels. *European Journal of Business and Management Research*, 5(1). doi:10.24018/ejbmr.2020.5.1.181
- [120]Sadariah. (2019). Influence of style leadership to satisfaction work and employee performance at a company's cargo Hasanuddin International Airport Makassar. *International Journal of Scientific and Technology Research*, 8(1), 37–41.
- [121]Saleh, A., Ramly, M., Gani, M. U., & Suriyanti, S. (2016). Factors Affecting The Job Satisfaction And Performance Of Nurses Private Hospitals Class B In Makassar. *International Journal of Scientific and Technology Research*, 5(10), 74–77.
- [122]Sangadji, E. M. (2009). Pengaruh Budaya Organisasi dan Komitmen Organisasional Pimpinan terhadap Kepuasan Kerja dan Dampaknya pada Kinerja. *Paedagogia*, 12(1), 52–65.
- [123]Sanhaji, A., Soetjipto, B. E., & Suharto, S. (2016). Pengaruh Keadilan Organisasi Dan Budaya Organisasi Terhadap Perilaku Anggota Organisasi (Ocb) Melalui Komitmen Organisasi Dan Kepuasan Kerja. *Jurnal Pendidikan: Teori, Penelitian, dan Pengembangan*, 1(5), 917–926. <https://doi.org/10.17977/jp.v1i5.6311>
- [124]Sappe, S., Rante, Y., Tuhumena, R., & Bharanti, B. E. (2016). Effect of Leadership on Employee's Performance Mediated by Cultural Organization, Work Commitment and Motivation. *Journal of Economics and Behavioral Studies (ISSN:)*, 8(2), 101–107.
- [125]Saputra, A. T., Bagia1, I. W., & Yulianthini, N. N. (2016). Pengaruh Kepuasan Kerja dan Loyalitas Karyawan Terhadap Kinerja Karyawan. *Jurnal Manajemen Indonesia*, 4(1), 1–8. <http://publication.petra.ac.id/index.php/manajemen-bisnis/article/view/6095/5593>
- [126]Saraswati, N. P. A. S. (2017). Pengaruh Keadilan Prosedural, Budaya Organisasi Dan Kepuasan Kerja Terhadap Organizational Citizenship Behavior. *Jurnal Bakti Saraswati*, 06(2), 150–161.
- [127]Sari, O. R., & Sus. (2015). Pengaruh Kepuasan Dan Motivasi Kerja Terhadap Kinerja Karyawan Dengan Organizational Citizenship Behavior (Ocb) Sebagai Variabel Intervening. *Management Analysis Journal*, 4(1), 28–35. <https://doi.org/10.15294/maj.v4i1.7221>
- [128]Satya Nugraha, I. P., & Ayu Dewi Adnyani, I. G. (2017). budaya organisasi, komitmen organaisasi, dan kompetensi terhadap organizational citizenship behaviour pada setda kota denpasar. *E-Jurnal Manajemen Universitas Udayana*, 7(1), 1. doi:10.24843/ejmunud.2018.v7.i01.p01
- [129]Schein, E. H. (1990). Organizational culture. *American Psychologist*, 45.
- [130]Setiono, B. A. (2016). Pengaruh Budaya Organisasi , Karakteristik Individu , Karakteristik Pekerjaan Terhadap Kinerja Karyawan PT . Pelindo III Surabaya (Influence of Organizational Culture , Individual Characteristics , Job Characteristics on Employee Performance PT . Pelindo. Aplikasi Pelayaran dan Pelabuhanan, 6(2), 128–146.
- [131]Shmailan, bin A. S. (2016). The relationship between job satisfaction, job performance and employee engagement: An explorative study. *Issues in Business Management and Economics*, 4(1), 1–8.
- [132]Siagian, S. P. (2015). *Manajemen Sumber Daya Manusia*. In Jakarta : Bumi Aksara.
- [133]Singh, G., Kumar, S., & Ahlawat, P. (2019). Effects of Personality Traits on Organizational Citizenship Behavior of Private Bank Employees. *IJMRS's International Journal of Management Sciences*, 07(01), 1–9.
- [134]Soebyakto, B. B., Hanafi, A., & Rakasiwih, E. (2019). Effect Of Training , Motivation , And Job Satisfaction On Employee Performance At Pt Techwin Bkt. *International Journal of Scientific and Technology Research*, 8(12).
- [135]Sofyan, M., M, A. R., Bima, M. J., & Nujum, S. (2016). The Effect Of Career Development And Working Discipline Towards Working Satisfaction And Employee Performance In The Regional Office Of Ministry Of Religious Affairs In South Sulawesi. *The Effect Of Career Development And Working Discipline Towards Working Satisfaction And Employee Performance In The Regional Office Of Ministry Of Religious Affairs In South Sulawesi*, 5(3), 51–57.
- [136]Sugiono, E., & Vitaloka, D. S. (2019). Analysis the effect of work stress, work discipline and turnover intention on employees performance mediated by job satisfaction at pt. Epsion indonesia, jakarta. *International Journal of Scientific and Technology Research*, 8(12), 2574–2580.
- [137]Supiyanto, Y. (2015). Pengaruh Kompensasi, Kompetensi Dan Komitmen Organisasional Terhadap Kepuasan Kerja Dan Kinerja Karyawan Koperasi. *Prosiding Seminar Nasional*, 1(V), 722–737. <http://studensite.gunadarma.ac.id>
- [138]Supriadi, A. D., Suharto, S., & Sodikin, S. (2018). The effect of competence and organization culture to employee performance with motivation as the mediation variable in the Directorate General of Fiscal balance-Ministry of Finance, Indonesia. *Jurnal Perspektif Pembiayaan Dan Pembangunan Daerah*, 5(4), 325–336. doi:10.22437/ppd.v5i4.4606
- [139]Susanti Gunawan, J., Datun Solang, P., & Kartika, W. (2013). Organizational Citizenship Behavior Yang Berpengaruh Pada Kinerja Karyawan Dan Kepuasan Konsumen Di Hotel Sheraton Surabaya. *Jurnal Hospitality dan Manajemen Jasa*, 1(2), 120–133. <http://publication.petra.ac.id/index.php/manajemen-perhotelan/article/view/961>
- [140]Susanti, N. (2017). EFFECT OF ENVIRONMENTAL WORK AND WORK SATISFACTION OF EMPLOYEE PRODUCTIVITY Sekolah Tinggi Agama Islam (STAI) Yaptip Pasaman Barat Email : susantinovi57@gmail.com PENDAHULUAN Rumah sakit merupakan tatanan pemberi jasa layanan kesehatan memiliki peran ya. *Jurnal Manajemen dan Bisnis Indonesia*, 3(2), 137–154.
- [141]Susmiati, & Sudarma, K. (2015). Pengaruh Budaya Organisasi Dan Dukungan Organisasi Persepsian Terhadap Kinerja Karyawan Dengan Komitmen Organisasi Sebagai Variabel Intervening. *Management Analysis Journal*, 4(1), 79–87. <https://doi.org/10.15294/maj.v4i1.7226>
- [142]Suzanna, A. (2017). Pengaruh Organizational citizenship terhadap kinerja karyawan pada PT Taspen (PERSERO) Kantor Cabang Cirebon. *Jurnal Logika*, XIX(1), 42–50.
- [143]Ticoalu, L. (2013). Organizational Citizenship Behavior (Ocb) Dan Komitmen Organisasi Pengaruhnya Terhadap Kinerja Karyawan. *Jurnal Riset Ekonomi, Manajemen, Bisnis dan Akuntansi*, 1(4), 782–790.
- [144]Tilaar, N. R., Sendow, G. M., & Jorie, R. J. (2017). Pengaruh Kualitas Kehidupan Kerja, Disiplin Kerja dan Kompensasi Terhadap Produktivitas Kerja Pegawai Pada Kantor Dinas Lingkungan Hidup Provinsi Sulawesi Utara. *Jurnal EMBA*, 5(2), 2070–2078.
- [145]Udayani, N. L. putu K., & Sunariani, N. nyoman. (2019). Budaya organisasi, pengembangan karir, job insecurity terhadap organisational citizenship behaviour dengan komitmen organisasional sebagai variabel intervening. *Jurnal Manajemen dan Bisnis*, 8(2), 342–353. <http://journal.steindragiri.ac.id/index>.
- [146]Vidianingtyas, R. N., & Putri, W. H. (2014). Pengaruh kompensasi, kepuasan kerja, motivasi kerja dan gaya kepemimpinan terhadap kinerja karyawan pada perusahaan jasa catering di daerah istimewa yogyakarta. *Efektif Jurnal Bisnis dan Ekonomi*, 5(1), 99–110.
- [147]Vipraprastha, T., Sudja, I. N., & Yuesti, A. (2018). The Effect of Transformational Leadership and Organizational Commitment to Employee Performance with Citizenship Organization (OCB) Behavior as Intervening Variables (At PT Sarana Arga Gemeh Amerta in Denpasar City). *International Journal of Contemporary Research and Review*, 9(02), 20503–20518.

- doi:10.15520/ijcrr/2018/9/02/435
- [148]Wahyuni, N. M., & Giantari, M. A. (2019). Effect of Learning Orientation on Innovation: A Mediating Role of Knowledge Competence. *Jurnal Ekonomi dan Bisnis Jagaditha*, 6(2), 92–98. <https://doi.org/10.22225/jj.6.1.986.1-7>
- [149]Wambugu, L. W. (2014). Effects of Organizational Culture on Employee Performance (Case Study of Wartsila -Kipevu li Power Plant). *European Journal of Business and ManagementOnline*, 6(32), 80–93.
- [150]Wardani, D. K., Cahyono, D., & Herlambang, Toni Qomariah, N. (2017). PENGARUH GAYA KEPEMIMPINAN TERHADAP KEPUASAN KERJA DAN KINERJA DENGAN KOMITMEN ORGANISASI SEBAGAI VARIABEL INTERVENING DI RUMAH SAKIT ISLAM LUMAJANG EFFECT. *Jurnal Sains Manajemen & Bisnis Indonesia*, 7(2), 208–231.
- [151]Warsito, B. (2014). Pengaruh Budaya Organisasi Dan Lingkungan Kerja Terhadap Organizational Citizenship Behavior, Motivasi Dan Kinerja. *Jurnal Ekonomi Modernisasi*, 4(2), 83–96.
- [152]Wasiman. (2020). Effect of organizational culture, rewards, competence, and organizational citizenship behavior. *International Journal of Scientific and Technology Research*, 9(2), 6329–6333.
- [153]Waspodo, A. A., & Minadaniati, L. (2012). Pengaruh Kepuasan Kerja Dan Iklim Organisasi Terhadap Organizational Citizenship Behavior (Ocb) Karyawan Pada Pt . Trubus Swadaya. *Jurnal Riset Manajemen Sains Indonesia (JRMSI)*, 3(1), 1–16.
- [154]Wibowo, M. A., & Putra, Y. S. (2016). PENGARUH MOTIVASI DAN BUDAYA ORGANISASI TERHADAP KEPUASAN KERJA SERTA IMPLIKASINYA TERHADAP KINERJA KARYAWAN PADA RUMAH SAKIT UMUM (RSU) SALATIGA. *Among Makarti*, 9(1). doi:10.52353/ama.v9i1.124
- [155]Wijianto, W., Cahyono, D., & Qomariah, N. (2020). How To Improve Employee Performance At The Forest Service. *INTERNATIONAL JOURNAL OF SCIENTIFIC & TECHNOLOGY RESEARCH*, 9(8), 256–264. www.ijstr.org
- [156]Wilson, B. (2012). *Manajemen Sumber Daya Manusia*. Erlangga.
- [157]Winoto, S. A., Priadana, S., & Indah, D. Y. (2020). Komitmen dan budaya organisasi terhadap Organizational Citizenship Behavior (OCB). *Jurnal Riset Bisnis dan Manajemen*, Vol 13(No 2), 97–103.
- [158]Wira Saputra, P. E., & Supartha, I. W. G. (2019). PENGARUH BUDAYA ORGANISASI DAN DUKUNGAN ORGANISASI TERHADAP OCB DIMEDIASI OLEH KOMITMEN ORGANISASIONAL. *E-Jurnal Manajemen Universitas Udayana*, 8(12), 7134. doi:10.24843/ejmunud.2019.v08.i12.p12
- [159]Yuliani, I., & Katim, K. (2017). PENGARUH KOMITMEN ORGANISASI DAN KEPUASAN KERJA TERHADAP ORGANIZATIONAL CITIZENSHIP BEHAVIOR. *Jurnal Riset Manajemen Dan Bisnis (JRMB) Fakultas Ekonomi UNIAT*, 2(3), 401–408. doi:10.36226/jrmb.v2i3.74